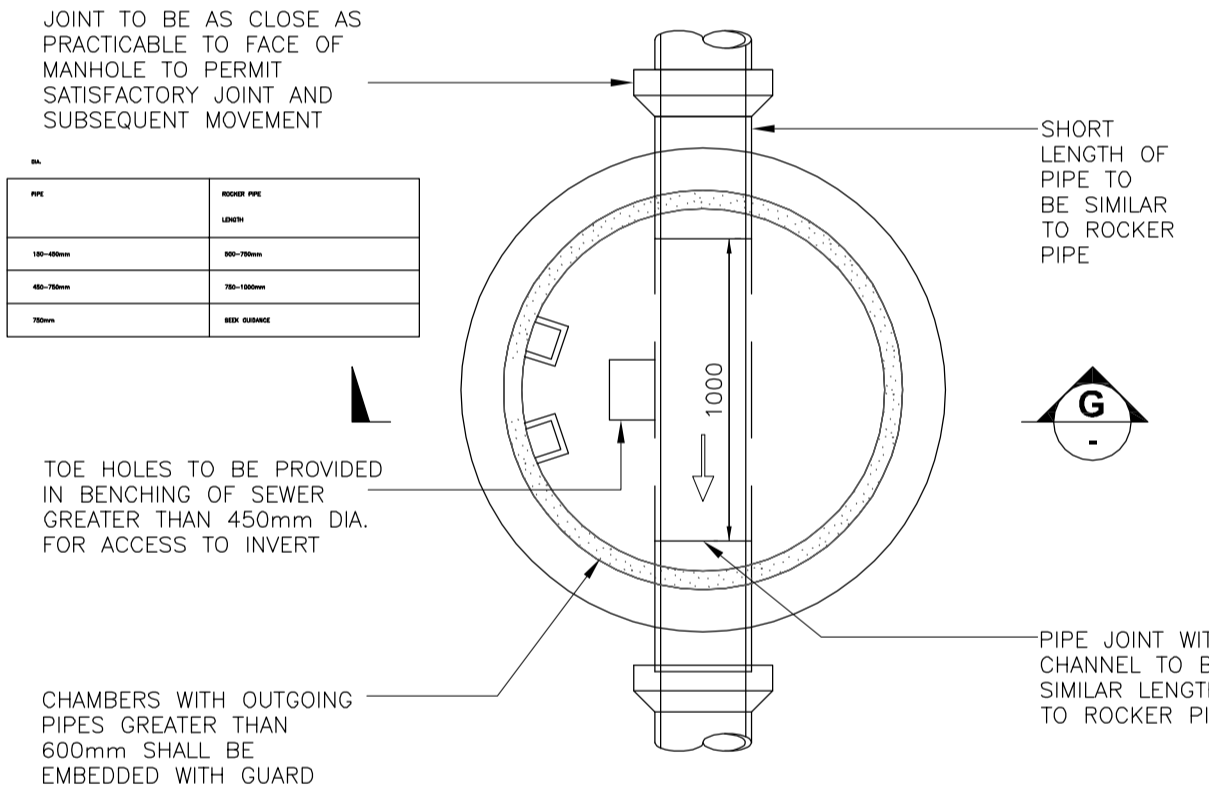


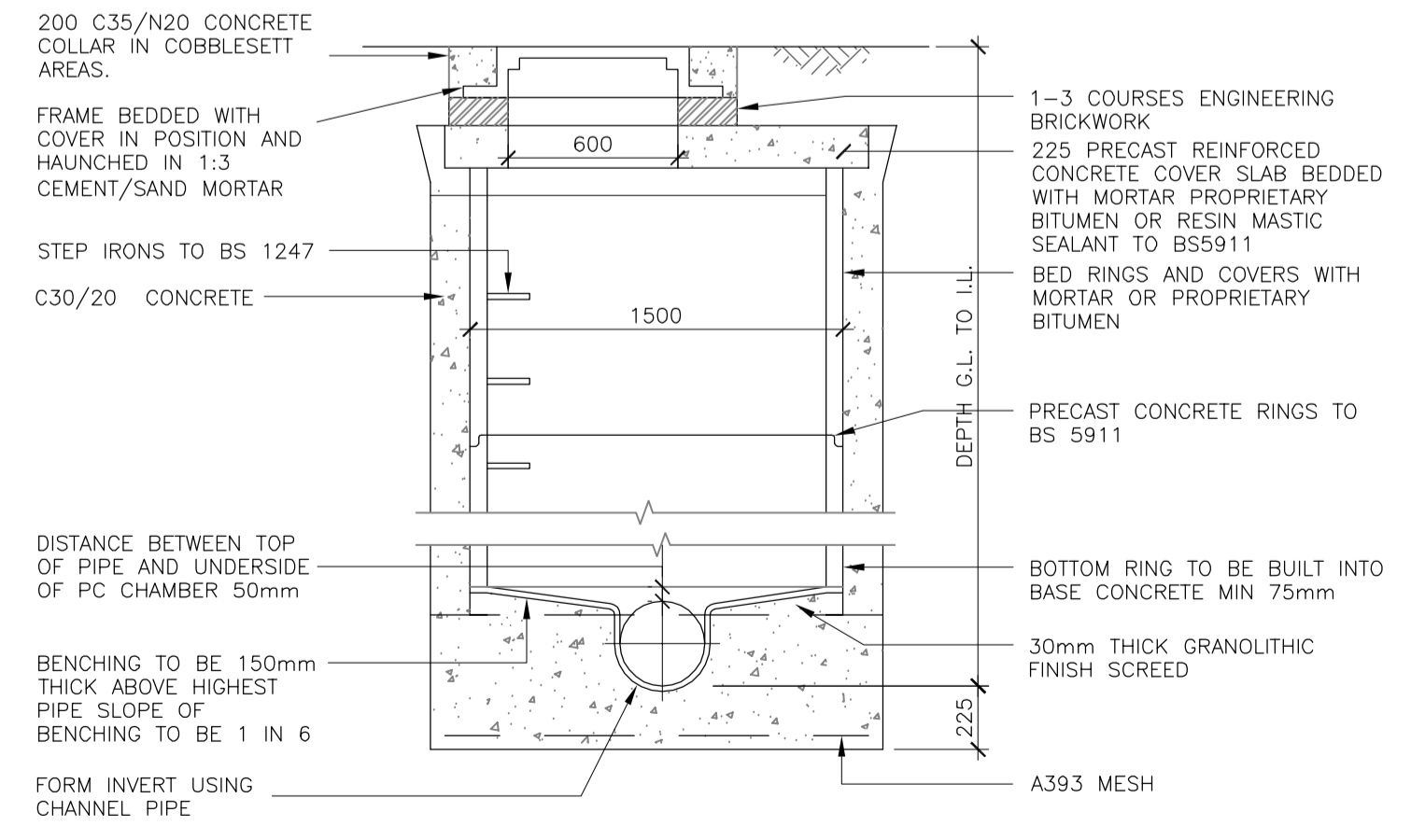
**SECTIONAL ELEVATION
TYPICAL DETAIL OF 50 L/S CLASS 1 FULL RETENTION SEPARATOR**
SCALE 1:25

CONSTRUCTION NOTES:
FILL INTERCEPTOR WITH WATER AFTER INSTALLATION AND BEFORE BACKFILLING. FOLLOW MANUFACTURERS INSTALLATION INSTRUCTIONS.
FIRST TWO PIPES ON EACH RUN TO HAVE FLEXIBLE JOINTS.
INTERCEPTOR TO BE VENTED & FITTED WITH CAP AT GROUND LEVEL.

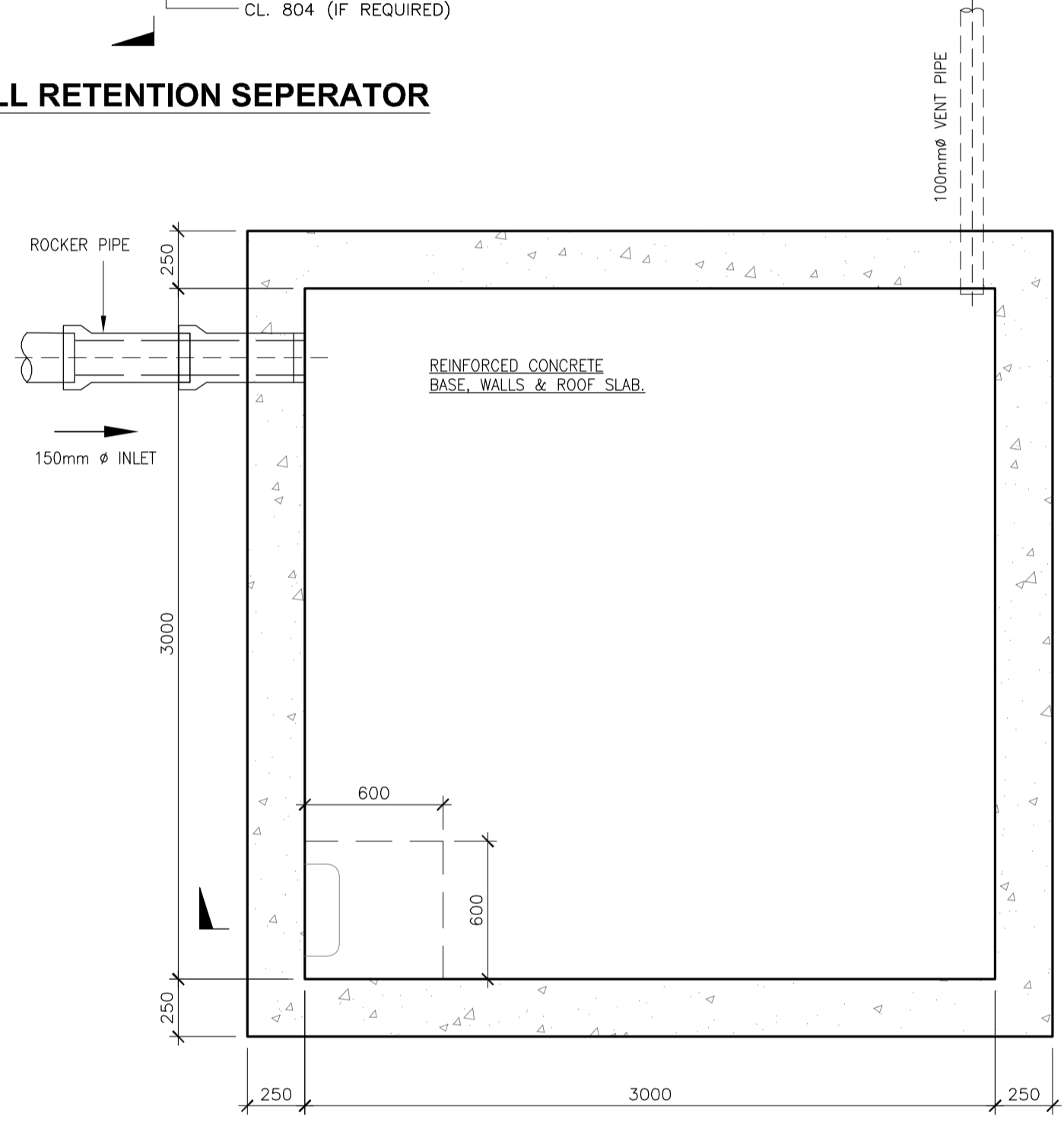


**PLAN
SCALE 1:25**

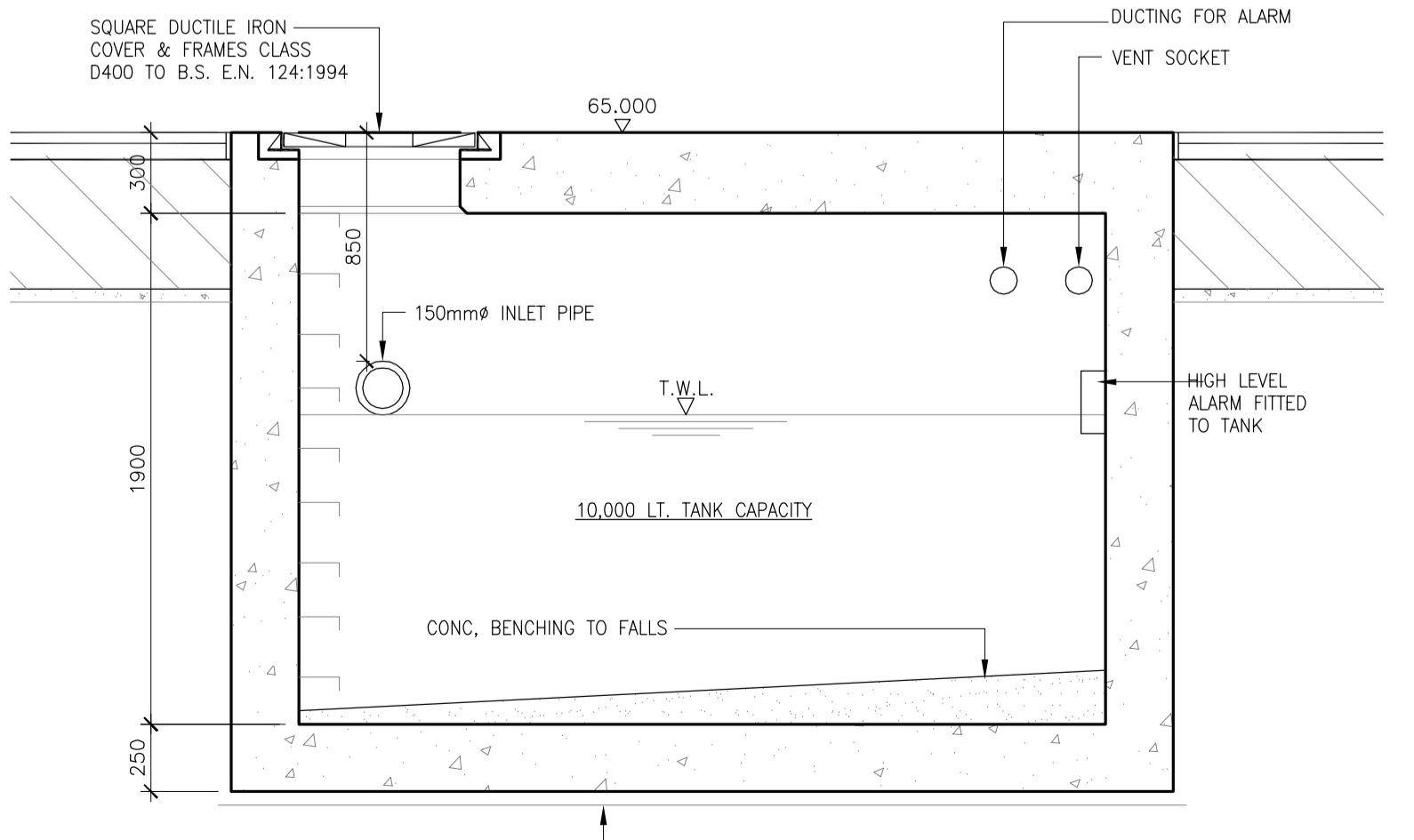
COVER AND FRAME TO BE:
a) SQUARE DUCTILE IRON WITH 600mm CLEAR OPES. CLASS D400 TO BS EN 124:1994 BENEATH CARRIAGEWAYS, DRIVEWAYS AND FOOTWAYS.
b) SQUARE DUCTILE IRON WITH 600mm CLEAR OPE. CLASS B125 TO BS EN124:1994 BENEATH GRASSED AREAS.



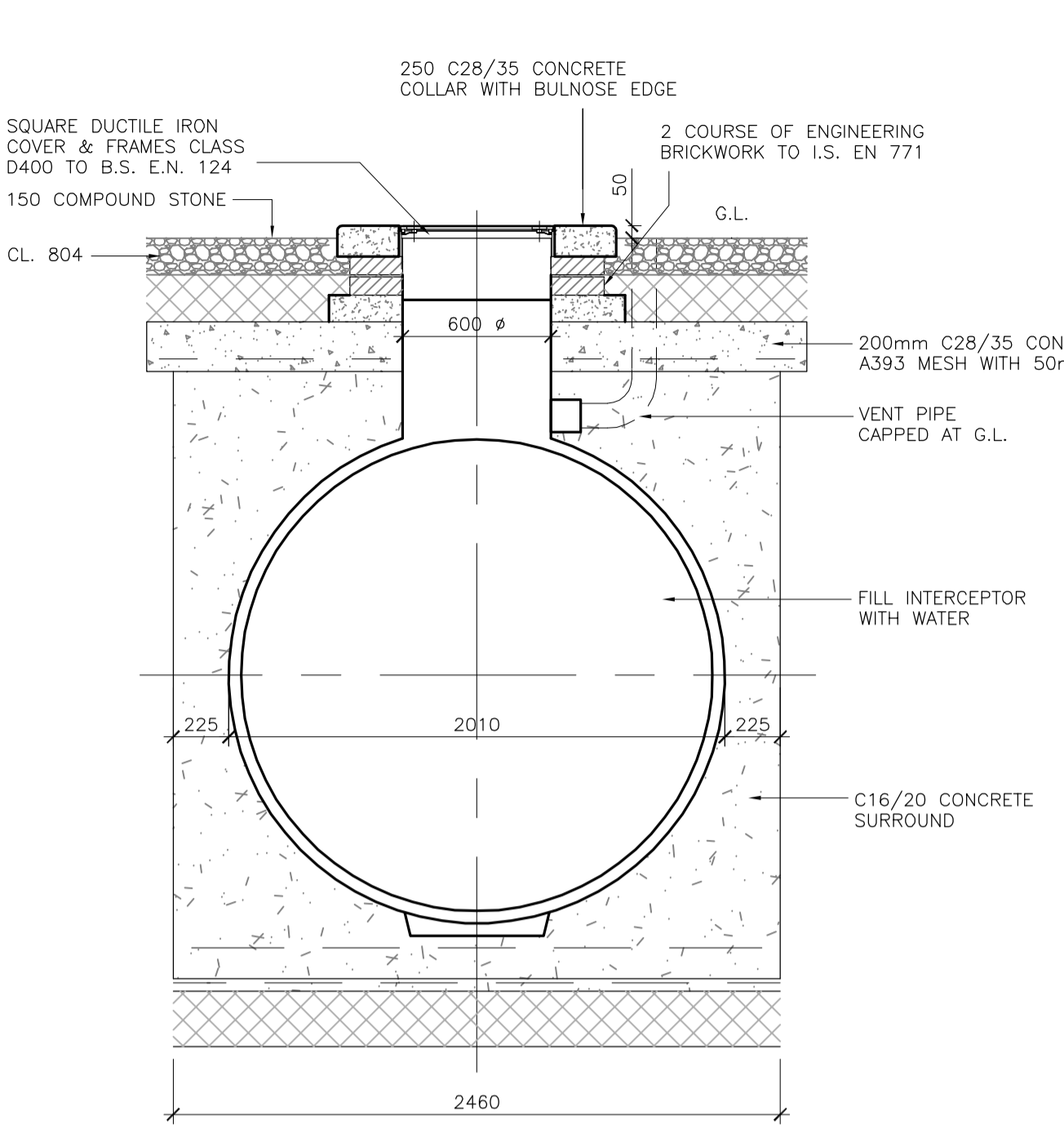
**SECTION
SCALE 1:25
TYPICAL PRECAST RING MANHOLE, DEPTH TO SOFFIT 0.3m**



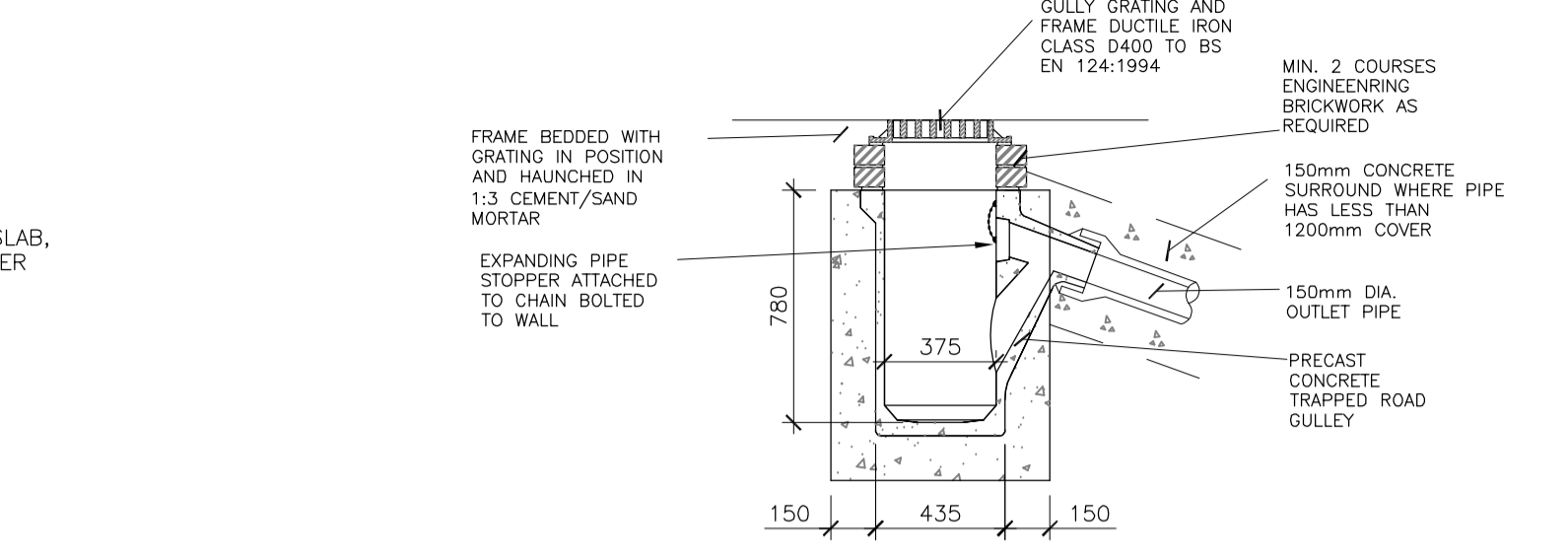
**PLAN- FOUL WATER HOLDING TANK
SCALE 1:25**



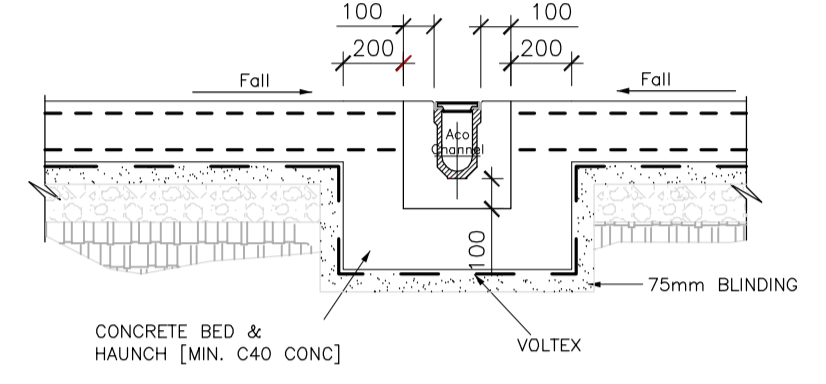
**SECTION
SCALE 1:25**



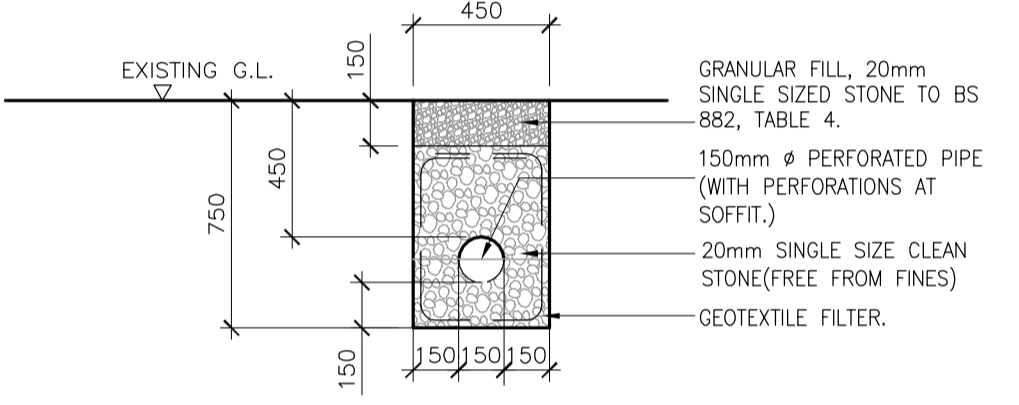
**SECTION
SCALE 1:25**



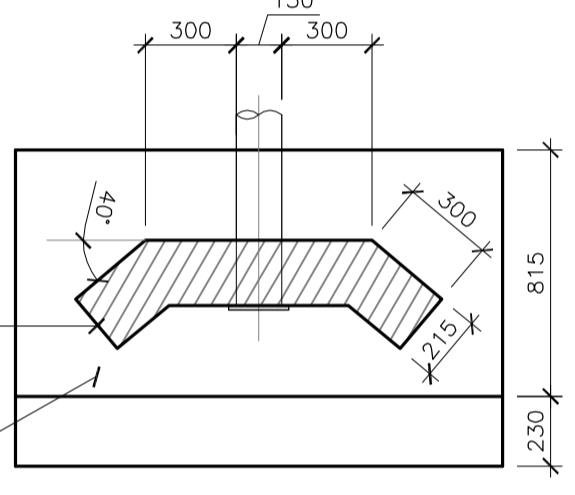
**PRECAST CONC. TRAPPED ROAD GULLY
SCALE 1:25**



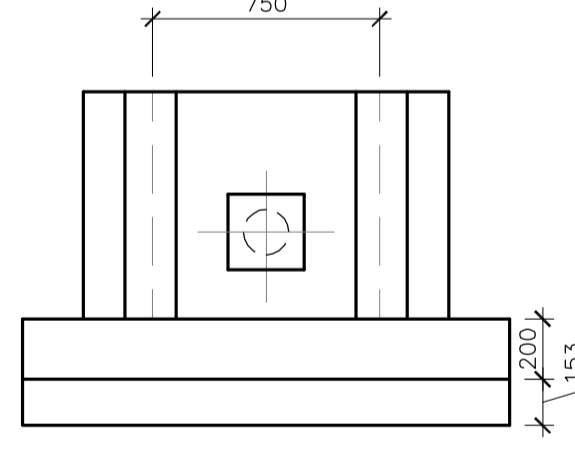
**ACO CHANNEL SECTION
SCALE 1:25**



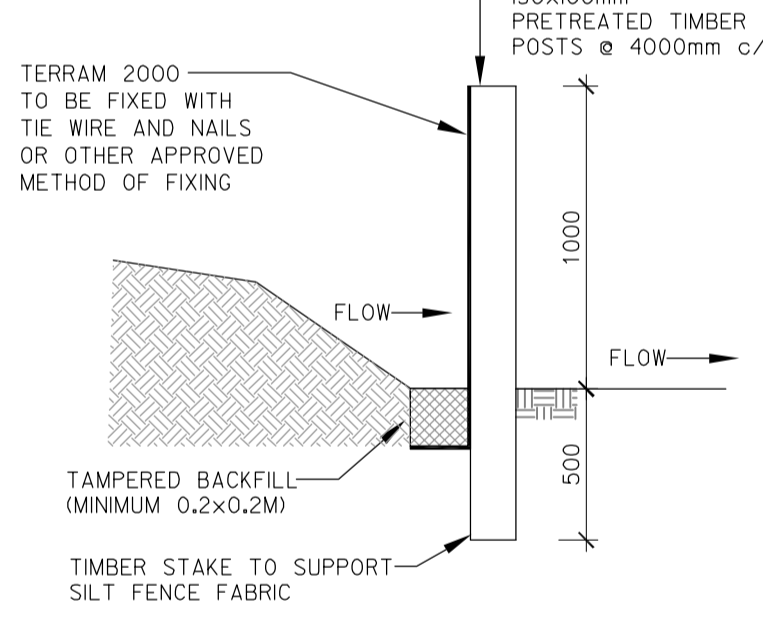
**SECTION THROUGH LAND DRAIN
SCALE 1:25**



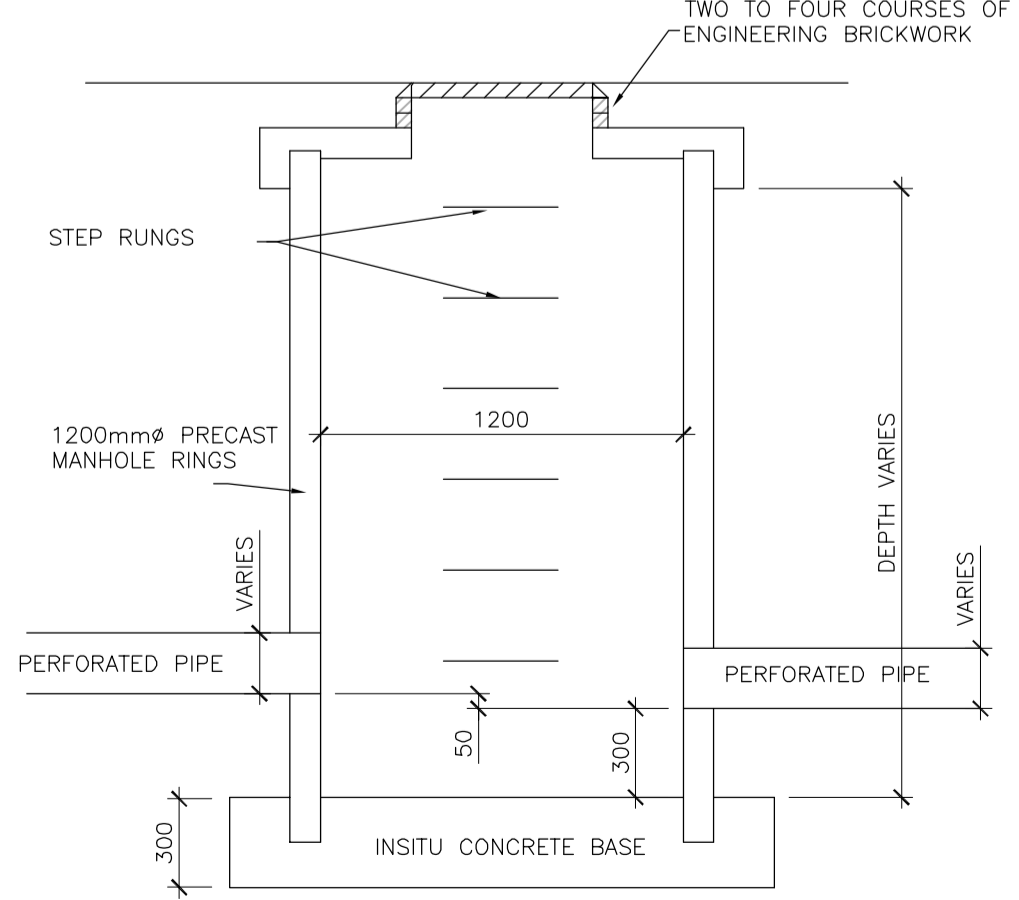
**HEADWALL DETAIL - PLAN
SCALE 1:25**



**HEADWALL ELEVATION
SCALE 1:25**



**TYPICAL SECTION THROUGH SILT FENCE
SCALE 1:25**



**CATCHPIT - TYPICAL DETAIL
SCALE 1:25**

REV.	DATE	REVISION DESCRIPTION	DRN	PROD	COVER	APP
001	09.11.12	ISSUED FOR PLANNING PERMISSION	LK	DC	JMC	BW DW
000	AUG12	ISSUED FOR CLIENT COMMENT	DR	SOD	JMC	BW DW

PURPOSE OF ISSUE - PRELIMINARY UNLESS INDICATED
TENDER CLIENT APPROVAL CONSTRUCTION AS-BUILT REVISED

Client: **EIRGRID**

Project: **LAOIS KILKENNY REINFORCEMENT PROJECT
Coolinabacky 400kV Substation**

Contract: **LAOIS KILKENNY REINFORCEMENT PROJECT**

Drawing Title: **DRAINAGE DETAILS SHEET 1 OF 2
COOLINABACKY 400kV SUBSTATION**

Production Unit: **Civil Building and Environmental**

ESBI International
ESBI Energy Innovation

ESBI Engineering Solutions, Stephen Court, 18-21 St. Stephen's Green, Dublin 2, Ireland. Tel: +353 (0)1 703 8000 Fax: +353 (0)1 703 7186
Email: marketing@esbi.ie Web: www.esbi.ie
ESBI Engineering Solutions is a trading name of ESBI Engineering & Facility Management Limited.
Registered Office: as above Registered in Ireland No. 155249

DRAWN	PRODUCED	VERIFIED CIVIL	VERIFIED ELECTRICAL	APPROVED	APP DATE
L.Kiernan	D.Cody	J.MacCarthy	B.Wall	D.Walsh	13.12.2012

CLIENT REF: **TC207438** No. of sheets: **2** SIZE: **A1** SCALE: **AS SHOWN**

DRAWING NUMBER: **PE610-D002-004-007-001** SHEET: **REV**

COPYRIGHT © ESBI ENGINEERING & FACILITY MANAGEMENT LIMITED.
All rights reserved. No part of this work may be modified or reproduced or copied in any form or by any means - graphic, electronic or mechanical, including photocopying, recording, taping or information and retrieval system, or used for any purpose other than its designated purpose, without the written permission of ESBI Engineering & Facility Management Ltd.